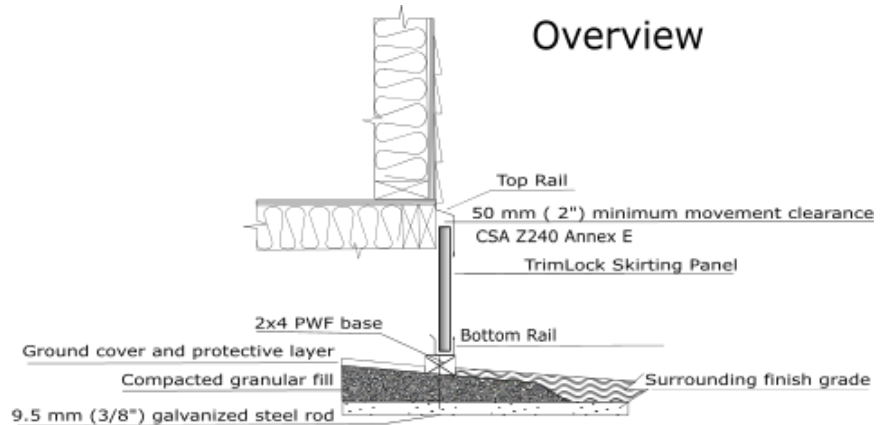


Overview

Proper site preparation must be completed in accordance to local building codes. The illustrations in the manual are for general purpose, site conditions may require alterations as needed for the install.

Read and follow the instructions to perform the installation of the Trimlock skirting product for a hassle free install.



Note: Minimum movement clearance is to accommodate movement in areas susceptible to frost heave
Wood in contact with ground should be PWF treated lumber

Handle with Care

The Trimlock Skirting is a complete Textured Cladding System and needs to be handled with caution.

Do not drag the panels face to face

Cut the product from the back side to keep the finish face clean

Site preparation, along with the placement of 2X4 base, is essential for a proper install



Tools Needed

- Install Kit
- Tape Measure
- Skill Saw w/ Cutting Blade
- Level
- Drill
- Saw Horses/ Work Table
- Touch-up Brush
- Tin Snips
- Utility Knife
- Straight Edge
- Eye/Ear Protection



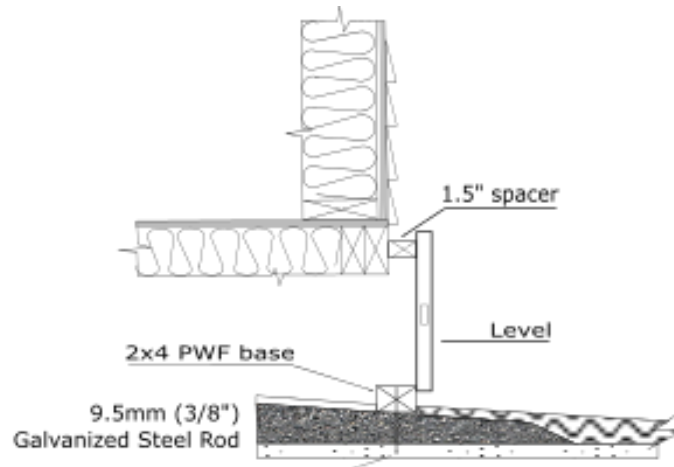
Step 1 – 2X4 Perimeter Placement For Premium Panels

Drill holes in PWF 2X4's to accommodate steel rods. Place the 2X4 PWF Base around entire perimeter of the home.

Anchor the 2X4 Base through the granular fill to undisturbed soil with 3/8" galvanized steel rods/nails.

Alternatively, you can use back bracing to secure the 2X4 Base to the house supports.

Exterior face of the 2X4 base will be offset horizontally from the exterior face of the house by the thickness of the Skirting Panel ($\frac{3}{4}$ ", 1", or 1.5"). Use a small piece of 2X4 as a temporary spacer to simulate the thickness of the Trimlock Skirting Panel. Use your level to set the 2X4 flush with the exterior of the skirting panel.



Step 2 – Bottom Rail Placement & Panel Cut Height for Premium Panels

A – Fasten the Bottom Rail to the outside edge of the 2X4 Base using screws provided in the install kit.

Overlap Rail 1".

To make corner, cut bottom rail as shown in Diagram 1, and bend to form corner.

B – Measure required panel height from corner of house highest above grade. Measure from the bottom of the Bottom Rail to just under the siding. Subtract a minimum of 75mm (3") for clearance at the top, just under the siding, to accommodate the top rail installation and provide the minimum clearance for frost heave.

Back drop may be required for support.

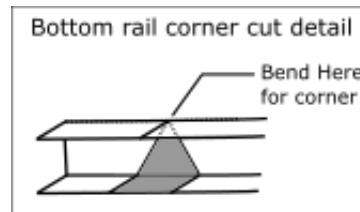
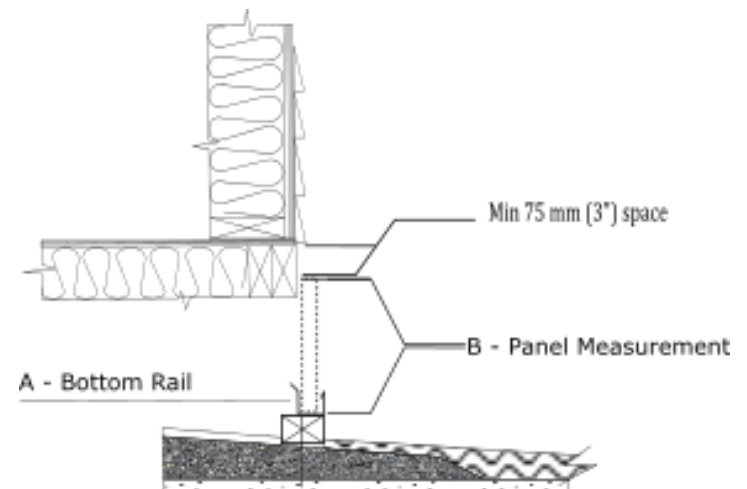


Diagram 1

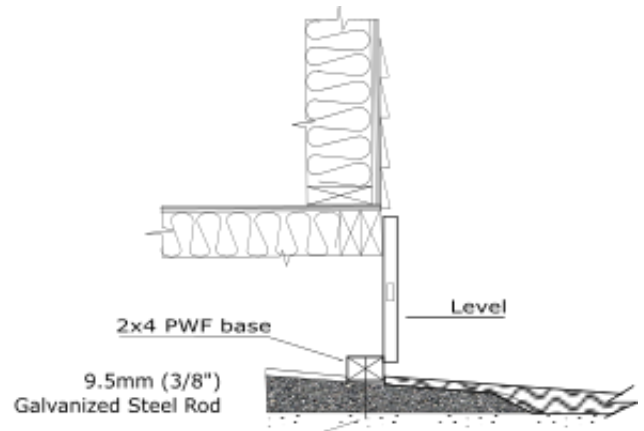


Step 1 – 2X4 Perimeter Placement For Standard Panels

Drill holes in PWF 2X4's to accommodate steel rods. Place the 2X4 PWF Base around entire perimeter of the home.

Anchor the 2X4 Base through the granular fill to undisturbed soil with 3/8" galvanized steel rods/nails.

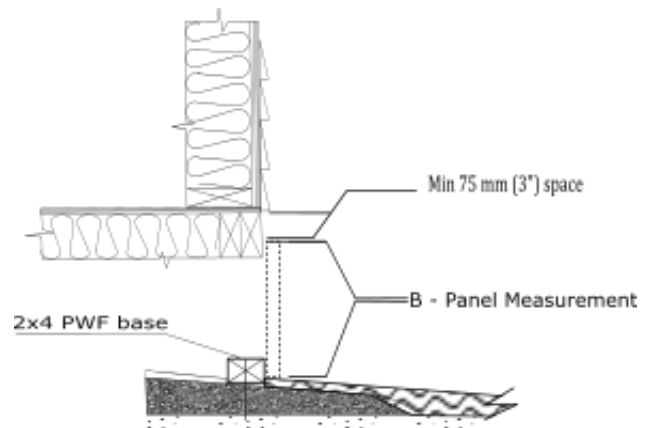
Exterior face of the 2X4 base will be flush with the exterior face of the house. Use your level to set the 2X4 flush with the exterior Base of Home.



Step 2 – Panel Cut Height for Standard Panels

Measure required panel height from corner of house highest above grade. Measure from grade to just under the siding. Subtract a minimum of 75mm (3") for clearance at the top, just under the siding, to accommodate the top rail installation and provide the minimum clearance for frost heave.

Back drop may be required for support.

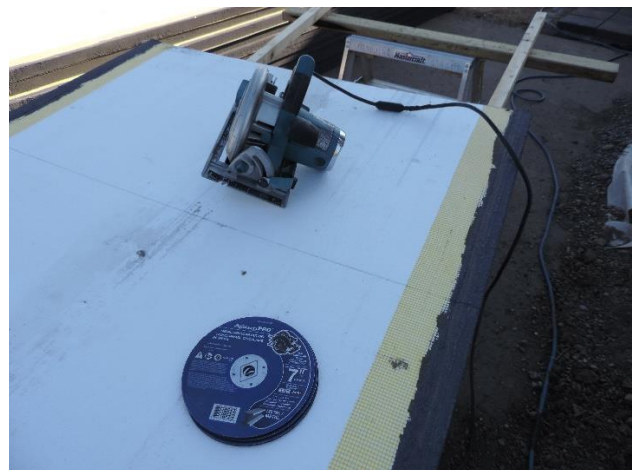


Step 3 – Cutting of the Panel

Mark out the measured panel height from Step 2 on the back side of the panel, perpendicular to metal edges.

Cut the panels using a skill saw with a steel blade.

Note: Take safety measures with eye and ear protection when cutting all materials.



Step 4 – Panel Placement for Premium Panels

A – Start at the corner, insert the first panel into the bottom rail. Level the first panel vertically, leaving minimum 75mm (3") space at the top for the top rail and movement clearance.

B - Secure the panel in place with a face screw at the bottom through the bottom rail to the metal edge and a wind strap at each end of panel (See Diagram 2).

Do not secure bottom at corner until installing outside corner.

Fasten each panel together at the top through the metal edges. See Diagram 3.

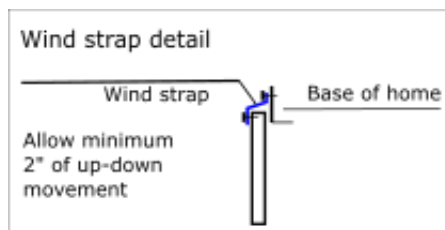
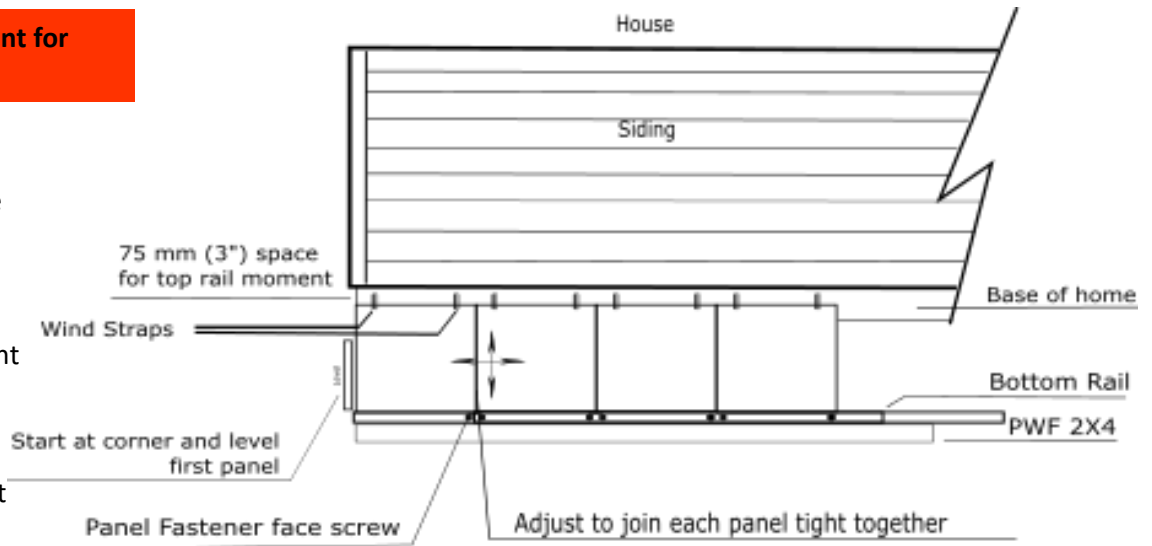


Diagram 2



Diagram 3

Step 4 – Panel Placement for Standard Panels

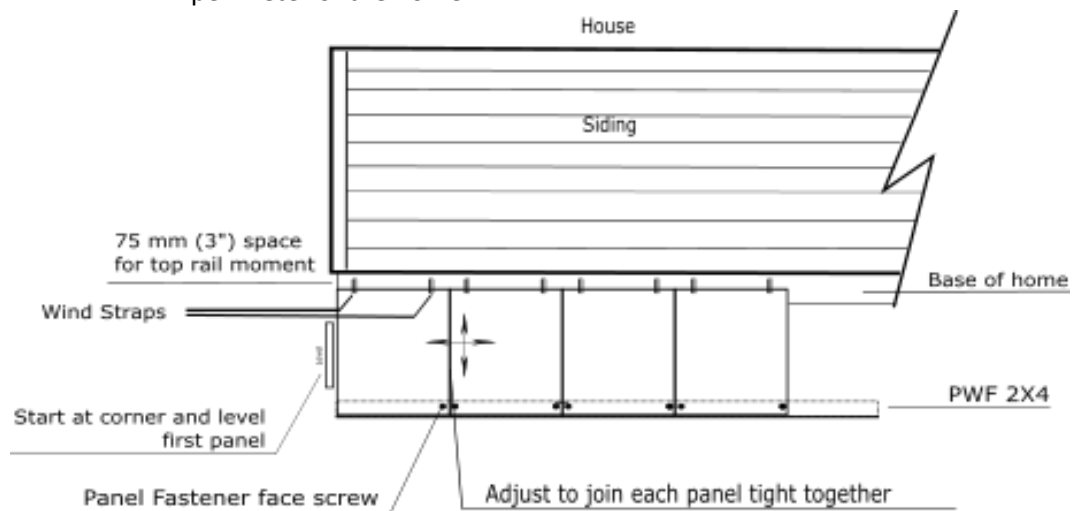
A – Start at the corner, standing up the first panel against the PWF Base and House Base. Level the first panel vertically, leaving minimum 75mm (3") space at the top for the top rail and movement clearance.

B - Secure the panel in place with a face screw at the bottom through the metal edge to the PWF Base and a wind strap at each end of panel (See Diagram 2).

Do not secure bottom at corner until installing outside corner.

Fasten each panel together at the top through the metal edges. See Diagram 3.

C – Insert several panels and adjust up and down as needed. Secure each panel, continuing around the perimeter of the home.



NOTE:

With the length of each home there will always need to be a panel where the metal edge needs to be cut off. Always use this piece as an outside corner, this will provide the greatest strength and the best finished appearance possible. (Utilities are the except. See utility cut diagram.)

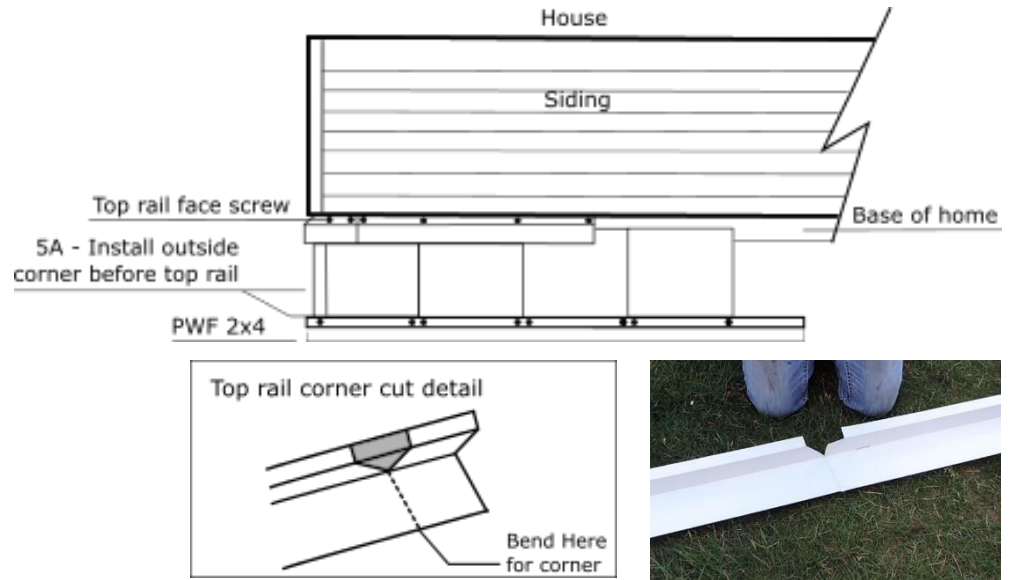
Step 5 – Top Rail Placement

A – Install outside 90° corners. Secure bottom of the corner, through the panel and bottom rail (if applicable).

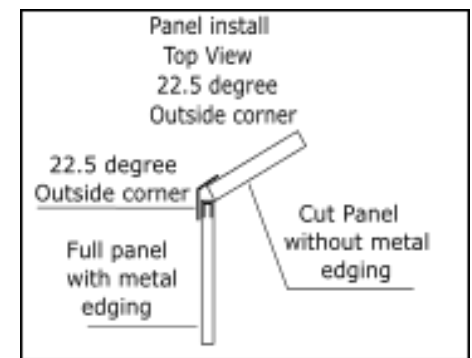
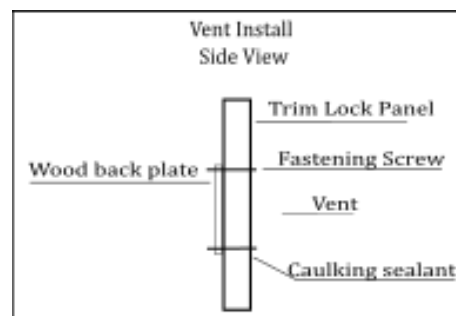
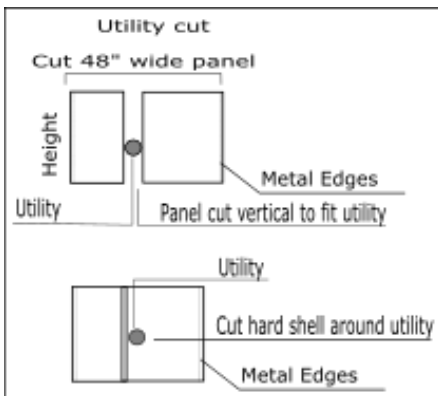
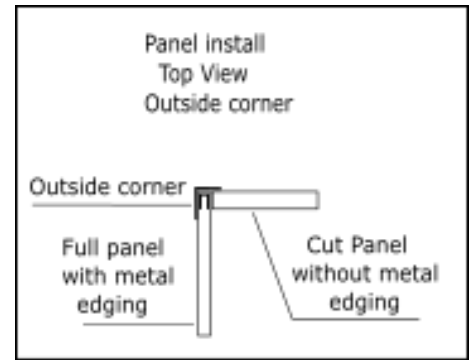
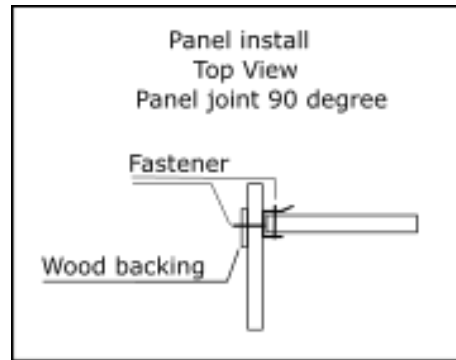
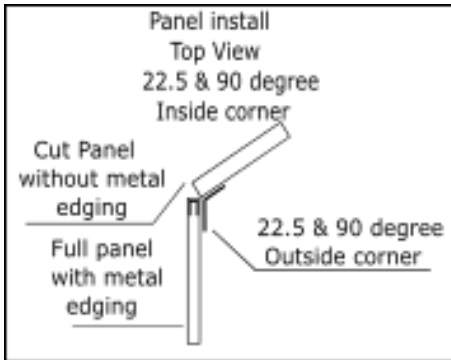
B – Cut first piece of top rail as shown in detail, and bend to form corner. Install top rail around corner, as tight as possible up to the siding. Secure along the top with screws.

C – Overlap the next panel 1" and secure together with a finishing screw at the bottom edge. Secure along the top with screws, continuing around the perimeter of the home.

Cut the top rail where needed with tin snips to join to the next corner.



Details

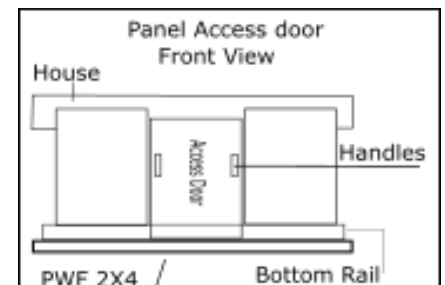


Step 1 - Cut the panel at full width and the height needed then cut the panel vertically to the width needed from the adjoining panel to the utility.

Step 2 - Cut away (foam only) leaving enough hard shell to cover the utility and approximate 1" overlap to the hard shell of the adjoining panel. Secure with screws or adhesive and caulk around utility.

Cut a hole the size of a vent pipe through the skirting panel. Cut a wood back plate bigger than the vents' outside nailing flange and cut a center hole for the pipe.

With the wood plate at the back, insert the vent through the skirting panel. Apply caulking to the nailing flange on the vent. Use 62.5mm (2.5") screws to fasten the vent to the panel and wood plate.



Cut the access door (panel) shorter than the other panels. The backing of the home may need to be extended with plywood so the door won't fall inward. Install the handles (2), fastening them to the side metal of the panel. Set the door into the bottom rail and install the top rail.

To open: Hold the handles, lift up, and tilt out from the bottom and pull down. To re-insert, do the opposite.