

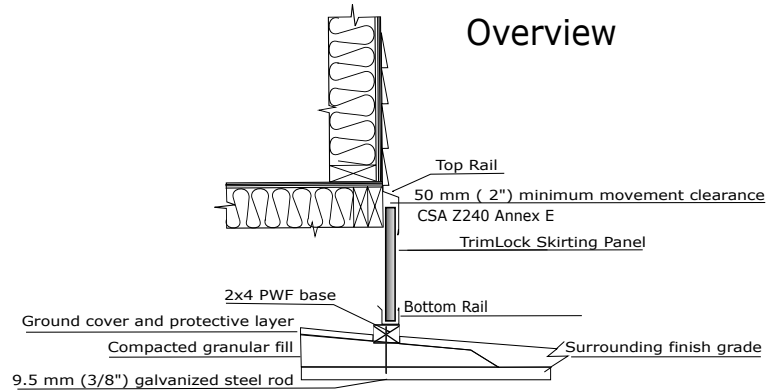
Overview

Proper site preparation must be completed in accordance to local building codes. The illustrations and install instructions in the manual are for general purpose, site conditions may require alterations as needed for the install.

Read and follow the instructions to perform the installation of the Trimlock skirting product for a hassle free install.

Note: When installing handle products with with care

- Do not drag the panels face to face
- Cut the product from the back side to keep the finished face clean
- Site preparation along with placement of 2X4 base is essential for a proper install



Note: Minimum movement clearance is to accommodate movement in areas susceptible to frost heave
Wood in contact with ground should be PWF treated lumber

Tools Needed

TOOLS NEEDED:

- Tape measure
- Skill saw with cutting blade
- Level
- Drill
- Saw horses/ work table
- Touch up brush
- Hammer
- Tin snips
- Caulking gun and caulk

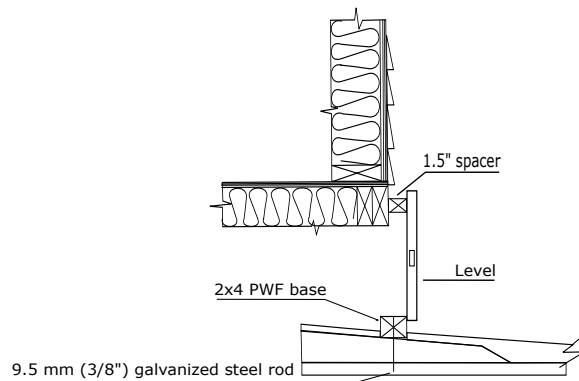


Step 1- 2x4 perimeter placement

Drill holes into the 2x4 to accommodate spikes to pin into the ground, 2nd option is to tie bracing to the pilings that the home is resting on to secure the perimeter 2x4.

Place the 2x4 PWF base around the perimeter.

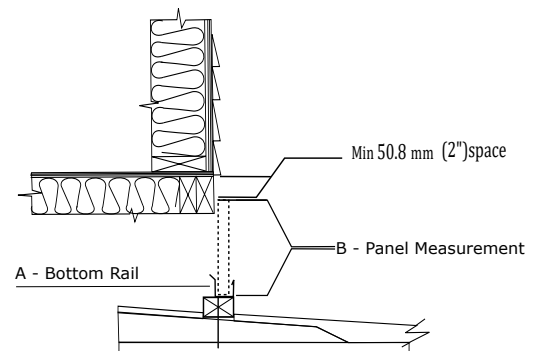
The outside edge of the 2x4 will be set out from plumb level of the face edge of the home by 38.1mm (1.5"). As the picture shows use a small piece of 2x4 as a temporary spacer to simulate the thickness of the skirting panel. Use this method to plumb level the outside edge of the 2x4 for a clean flush finish after installing the skirting.



Step 2 - Bottom Rail Placement & Panel Cut Height

A- Fasten the bottom Rail to the outside edge of the 2x4 base using screws provided in the install kit. See the video at www.trimlock.ca for a demonstration on how to cut the bottom rail for the corners.

B- Measure required panel height as you move down the wall. From the bottom J-trim measure up to the bottom of the siding and subtract a minimum of 50.8mm (2") for clearance at the top of each panel. This allows for ground movement during freeze thaw cycles.



Step 3- Cutting of the Panel

Mark out the measured panel needed from step 2B
 For best results cut from the back side of panel
 Cut using skill saw, grinder and metal blade

Note: Take safety measures with eye and ear protection when cutting all materials



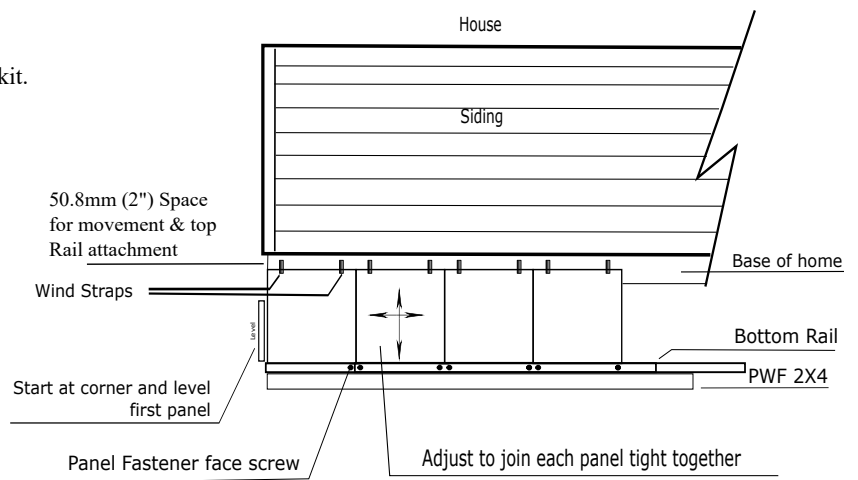
Step 4- Panel Placement

B – Cut first piece of top rail as shown in diagram then bend to form a 90 degree corner. Install the top rail at the corner as tight as possible under the siding.
 Secure along the top flange with screws provided in the install kit.

A – Start at the corner, insert the first panel into the bottom rail. Level the first panel vertically leaving minimum 50.8mm (2") space at the top for the top rail and movement clearance.

Note: Wind straps are to be placed loosely to allow for panel movement.

B - Secure the panel in place with a face screw at the bottom bottom J-trim. Attach a wind strap to each panel and the exposed part of the home. Continue down the length of the home checking frequently for plumb level.



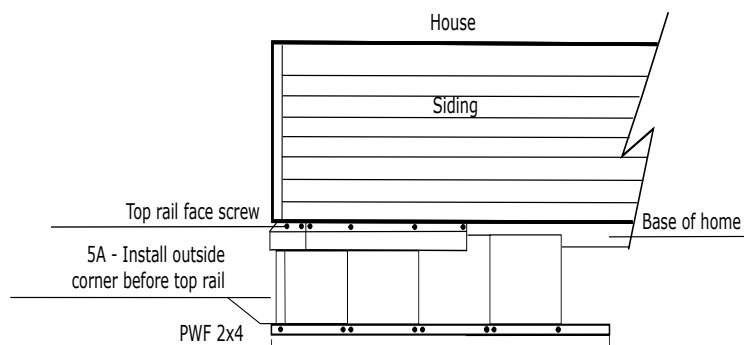
NOTE With the length of each home there will always need be a panel where the metal edge needs to be cut off. Always make this to be at an outside corner, this will provide the greatest strength and the best finished appearance possible. (Utilities are the exception see diagram Utility cut)

Step 5- Top Rail Placement

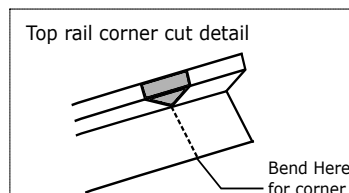
A – Install an outside 90 degree corner and secure with a screw at the bottom through the J-Trim.

B – Cut first piece of top rail as shown in diagram then bend to form a 90 degree corner. Install the top rail at the corner as tight as possible under the siding.
 Secure along the top flange with screws provided in the install kit.

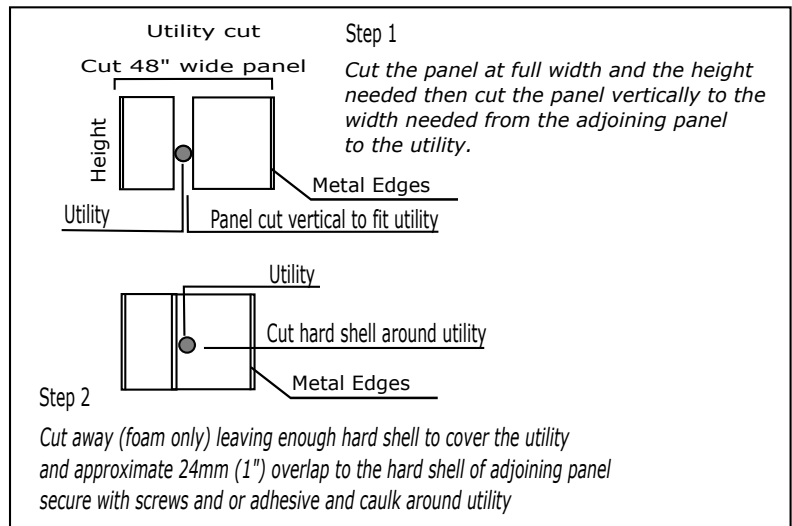
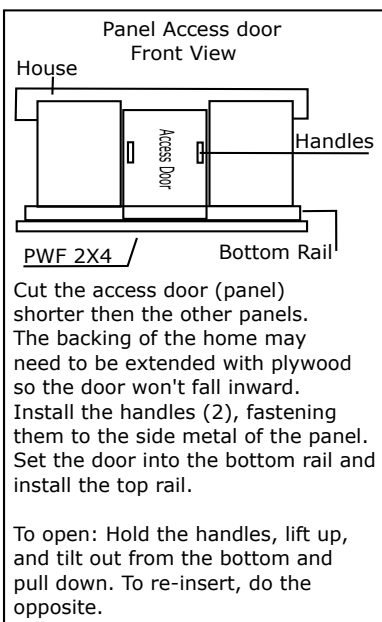
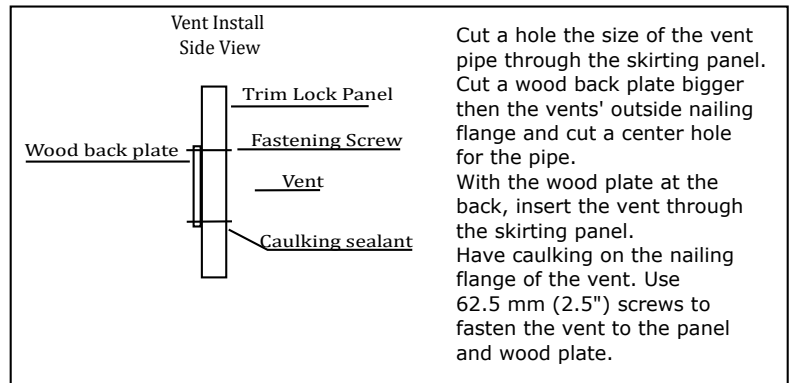
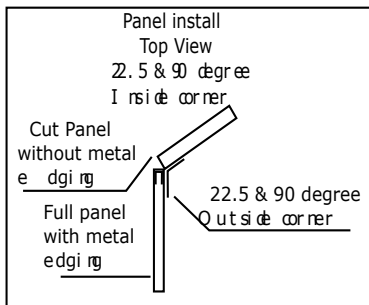
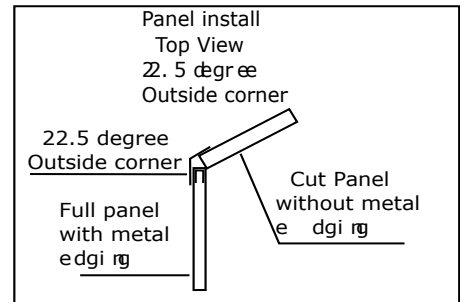
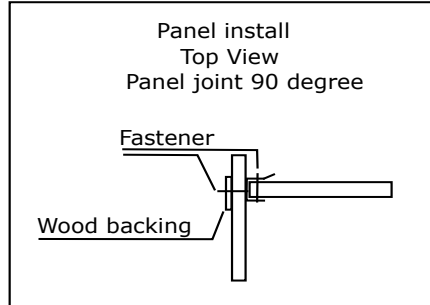
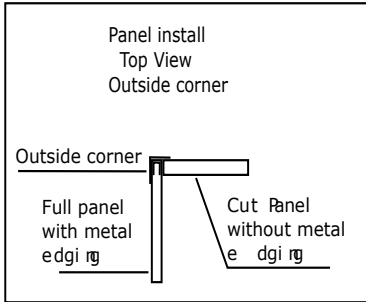
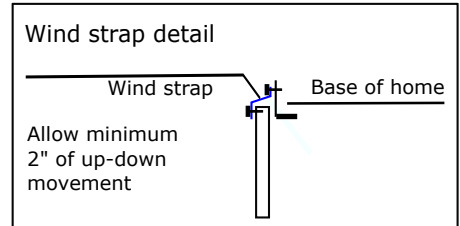
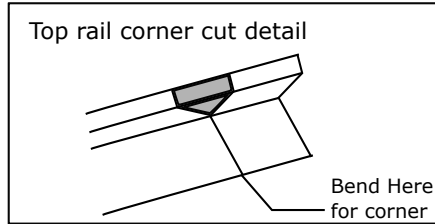
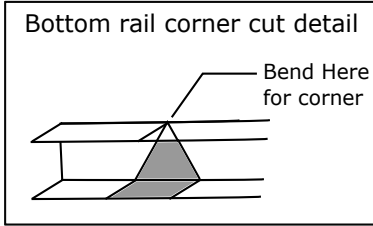
C – continue down the home overlapping each length of top rail minimum 25.4mm (1")



Note: In windy locations placement of each overlap should coincide with wind direction to reduce any possibility of an joint catching in the wind.



Detail Drawings



Installation Instructions illustrated by TrimLock are intended to be incorporated with local building and enveloping specifications. Final details are the responsibility of the project designers and local construction guideline's.